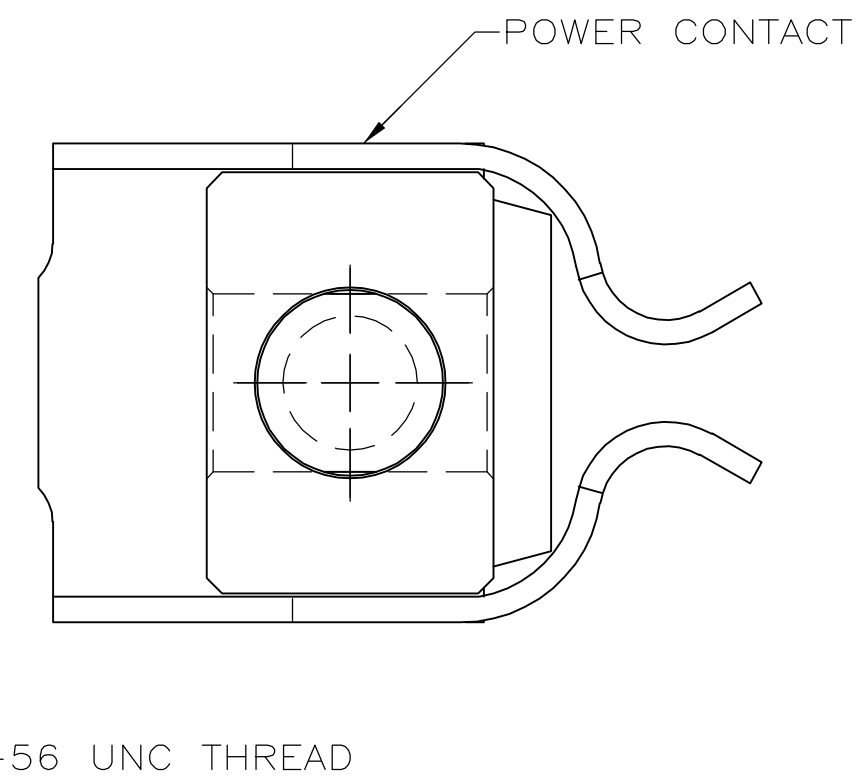
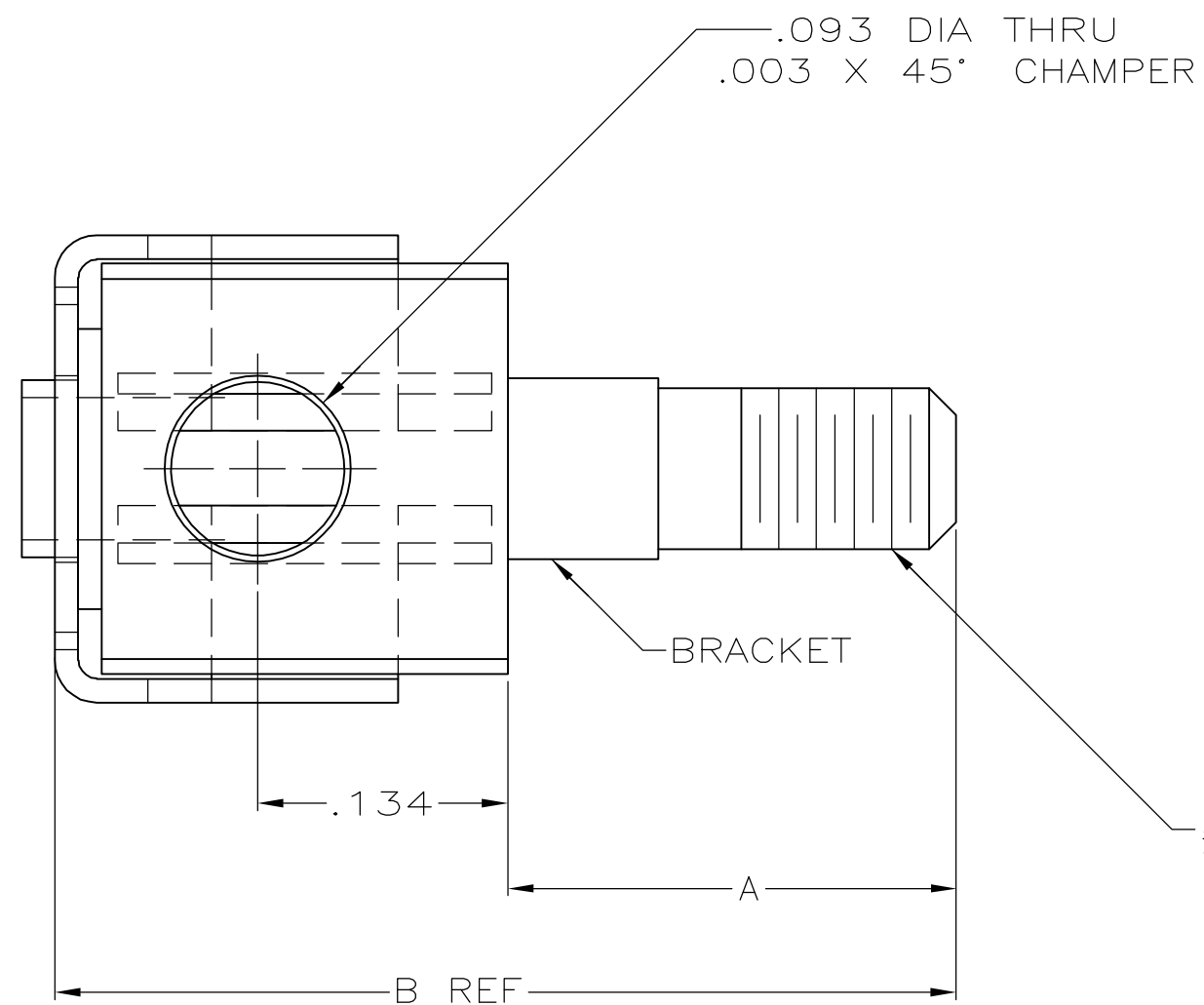
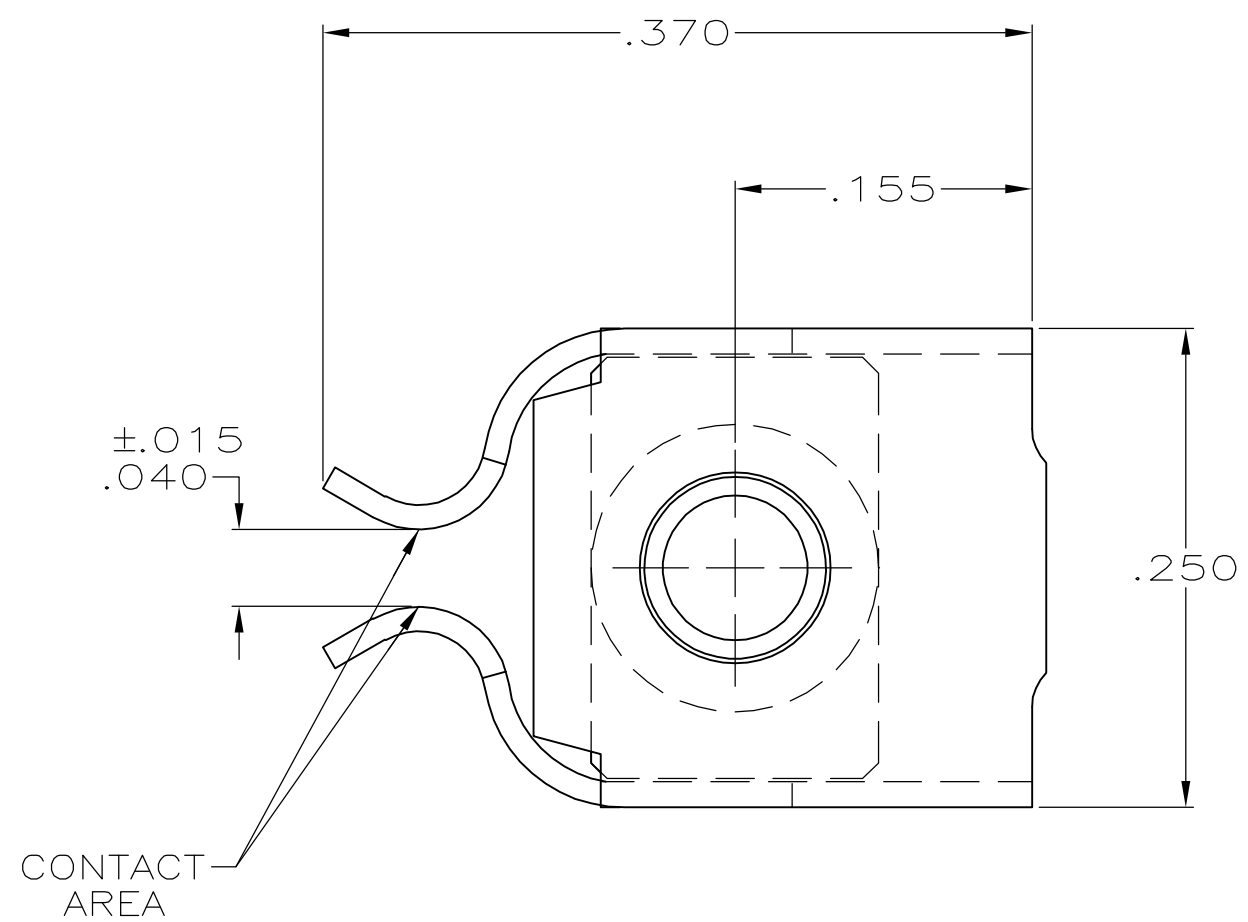


THIS DRAWING IS UNPUBLISHED. RELEASED FOR PUBLICATION
 © COPYRIGHT BY TYCO ELECTRONICS CORPORATION. ALL RIGHTS RESERVED.

LOC	DIST	REVISIONS			
P	LTR	DESCRIPTION	DATE	DWN	APVD
AD	25	G	REVISED PER EC 0512-0552-04	29SEP05	JDP DD



	.438	.185	3	533065-7
	.478	.225	3	533065-6
OBSOLETE	.565	.312	3	533065-5
	.543	.290	3	533065-4
	-	-	-	-
OBSOLETE	.678	.425	4	533065-2
OBSOLETE	.678	.425	3	533065-1
	B	A	FINISH	PART NO

- 1 CONTACT MATERIAL: PHOSPHOR BRONZE.
- 2 BRACKET MATERIAL: BRASS.
- 3 FINISH: .000050 -.000100 NICKEL UNDERPLATE ALL OVER, .000030 GOLD IN CONTACT AREA, GOLD FLASH ON REMAINDER.
- 4 FINISH: .000050 -.000100 NICKEL UNDERPLATE ALL OVER, .000050 GOLD IN CONTACT AREA, GOLD FLASH ON REMAINDER.

THIS DRAWING IS A CONTROLLED DOCUMENT.

DWN	DAVID LEE HOFFMAN	12/11/89		Tyco Electronics Corporation	
CHK	G. SKIPPER	1-31-94		Harrisburg, PA 17105-3608	
APVD	-	-	NAME	AMP-HDI SERIES 100 GUIDE PIN POWER CONTACT ASSEMBLY, FOR CENTER GUIDE	
PRODUCT SPEC	-	-	SIZE	CAGE CODE	DRAWING NO
APPLICATION SPEC	-	-	A2	00779	C=533065
MATERIAL	1 2	3	WEIGHT	-	RESTRICTED TO
DIMENSIONS:	TOLERANCES UNLESS OTHERWISE SPECIFIED:		CUSTOMER DRAWING	SCALE	SHEET
mm [INCHES]	0 PLC ± -	1 PLC ± -	10:1	1	1
	2 PLC ± -	3 PLC ± .005			
	4 PLC ± -	ANGLES ± -			
	FINISH	3			